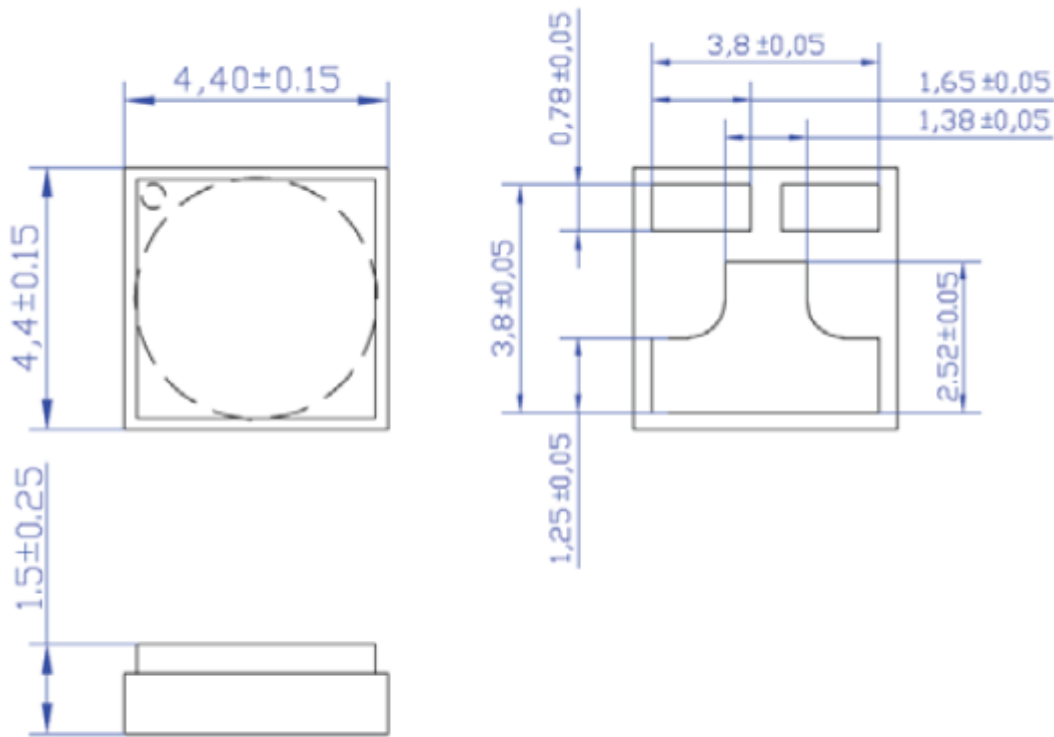


UV LED 275nm water sterilizer

UV represents wavelengths that fall between visible light and x-ray on the electromagnetic spectrum. The UV range can be further divided into UV-A, UV-B, UV-C, and Vacuum-UV. The UV-C portion represents wavelengths from 200 nm - 280 nm, the wavelength used in our LED disinfection products.

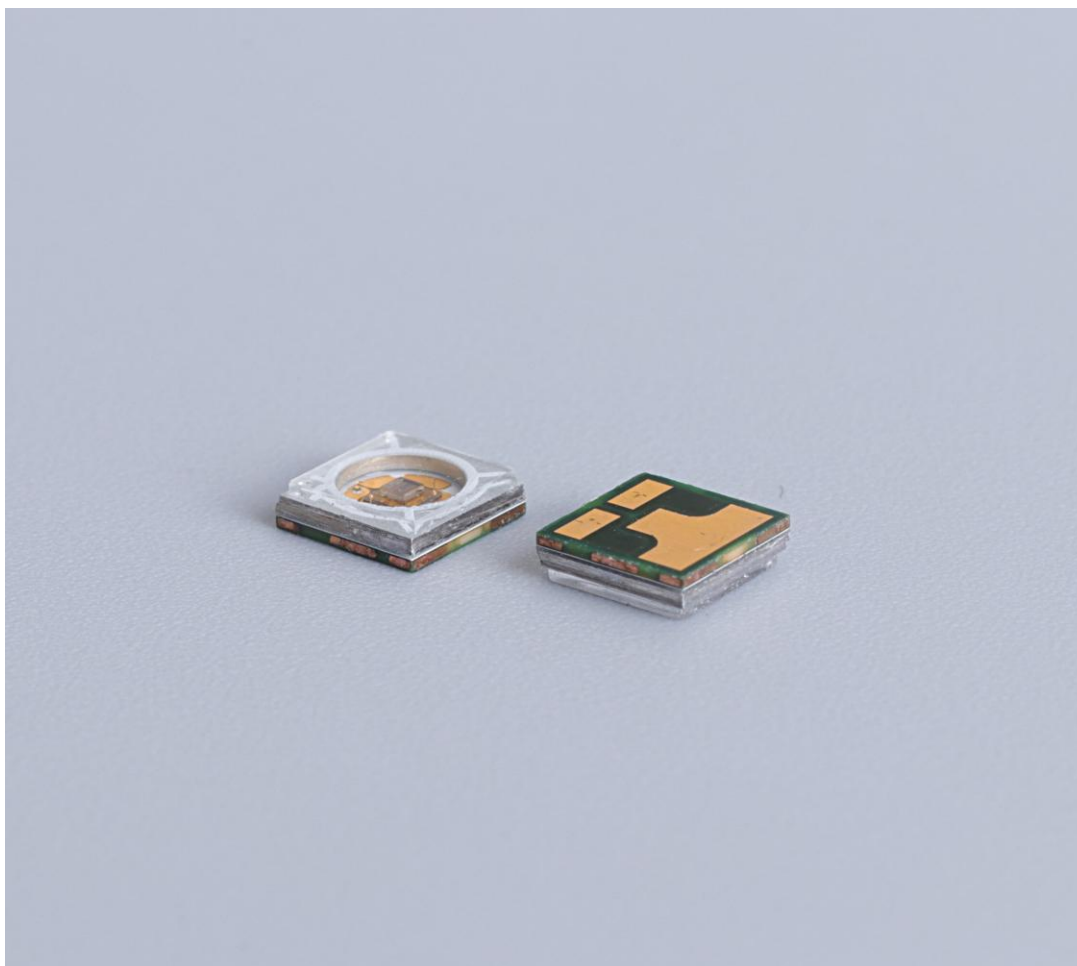
UV LED 270-280nm is our products mainly wavelength.

Package Dimensions



Unit: (mm)

Tolerance: ± 0.25 mm



Part Number	WP (nm)	Current mA	Vf (V)		Flux (mW) Typ.	Ee (Mw/cm ²) Typ.	Viewing Angle
			Min	Max			
AL-H44GLU27-1LI2A8	270	20	6	10	1.5	-	120
AL-H44GLU27-1LI3A8	270	30	6	10	1.7	0.45	120
AL-H44GLU27-3LI5A8	270	50	6	10	3	0.8	120
AL-H44GLU27-5LIJA8	270	100	6	10	7	1.9	120
AL-H44GLU27-8LIKA8	270	150	6	10	10	2.8	120
AL-H44GLU28-8LIKA8	280	150	6	10	10	2.8	120

UVC LED sterilization principle

Ultraviolet (UV) disinfection technology has been the star performer in water and air treatment over the past two decades, due in part to its ability to provide treatment without the use of harmful chemicals.

UV-C photons penetrate cells and damage the nucleic acid, rendering them incapable of reproduction, or microbiologically inactive. This process occurs in nature; the sun emits UV rays that perform this way.

An LED produces a selected wavelength from a small amount electricity. Depending on the composition of the LED it can produce anywhere from infrared, visible, and now UV-C wavelengths.

The side view of the LED shows that as power passes through the LED layers, it activates the desired wavelength.

These LEDs can then be integrated into various systems to treat water, air, and surfaces. These systems also work with the LED packaging to disperse heat and improve efficiency of the disinfection process.

How to contact us?

How To Process



FAQ

Q1. How can you ensure your products quality?

A1. We start the quality control from the design stage. We can almost do every step in house and have professional QC and test equipment to ensure the quality.

Q2. What will be the best price terms?

A2. Normally price term is FOB.

Q3. How much will the express delivery cost?

A3. The shipping discount are different because of different weight, volume and destination. We will choose the cheapest and safest way according to your detailed requirement. For the exact cost, please contact us freely.

If you have interest on our products, please feel free to contact us, we will try our best to provide technical support to you.

WELCOME TO CONTACT US>>>>WWW.ZHIDINGLED.COM



Oversea Sales Manager

Elsa Xiao

E-mail:sales@zhidingled.com

Skype: elsa.xiao0418

Mobile: 86-13412570091

WhatsApp: 86-13412570091

Tel: 86-769-22665151

Fax:86-769-22665155